

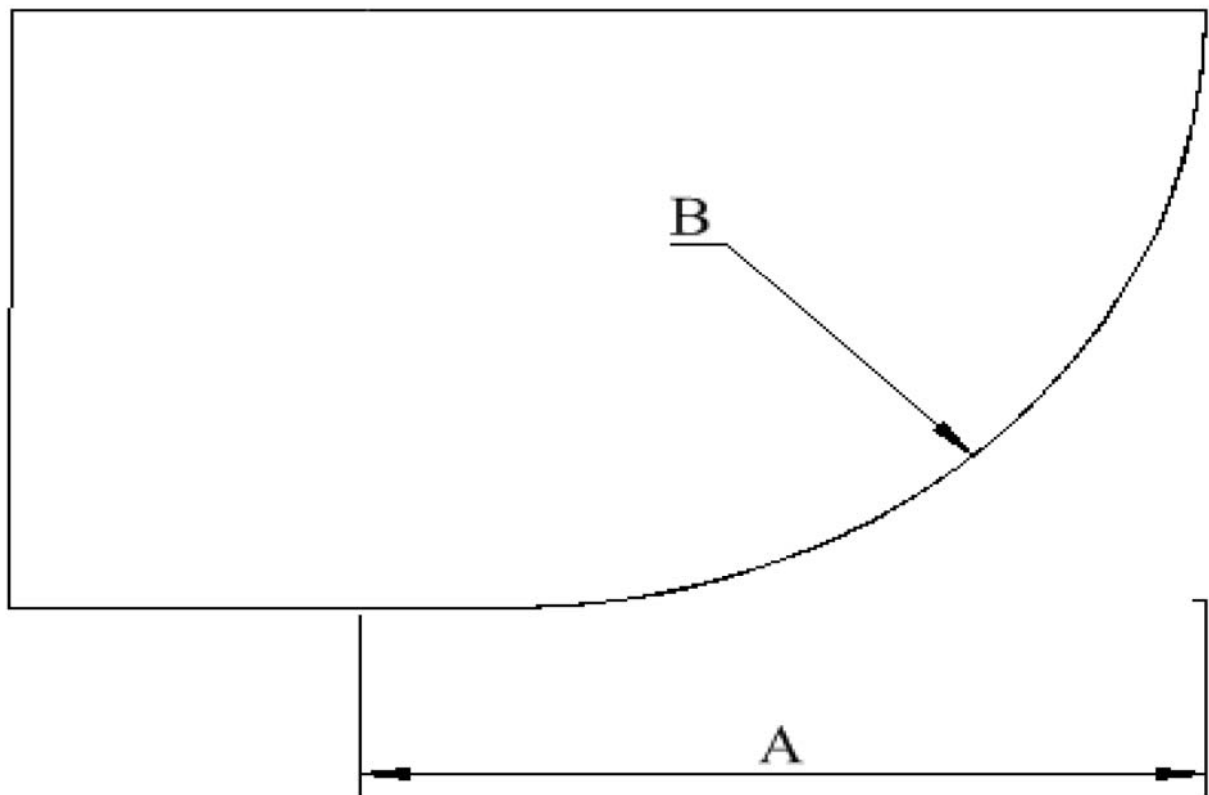


**STANDARD
CORBEL
PATTERNS
BOOK**



Corbel Patterns

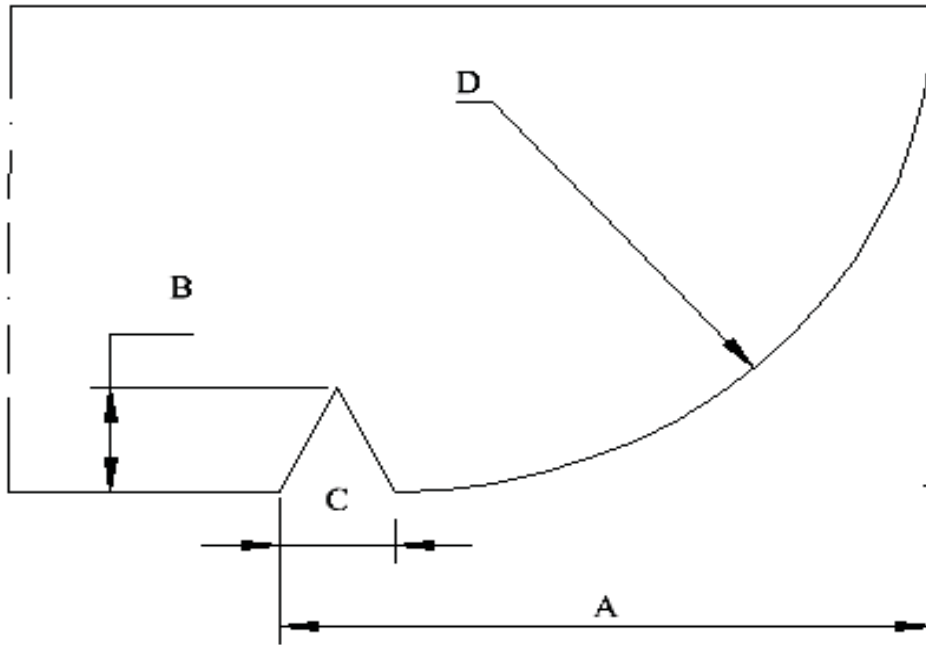
JWL 1-A



Depth	A	B
4	4 1/4	3 1/2
6	6 5/8	5 1/2
8	8 7/8	7 1/2
10	10 3/4	9 1/2
12	13 1/4	11 1/2

Corbel Patterns

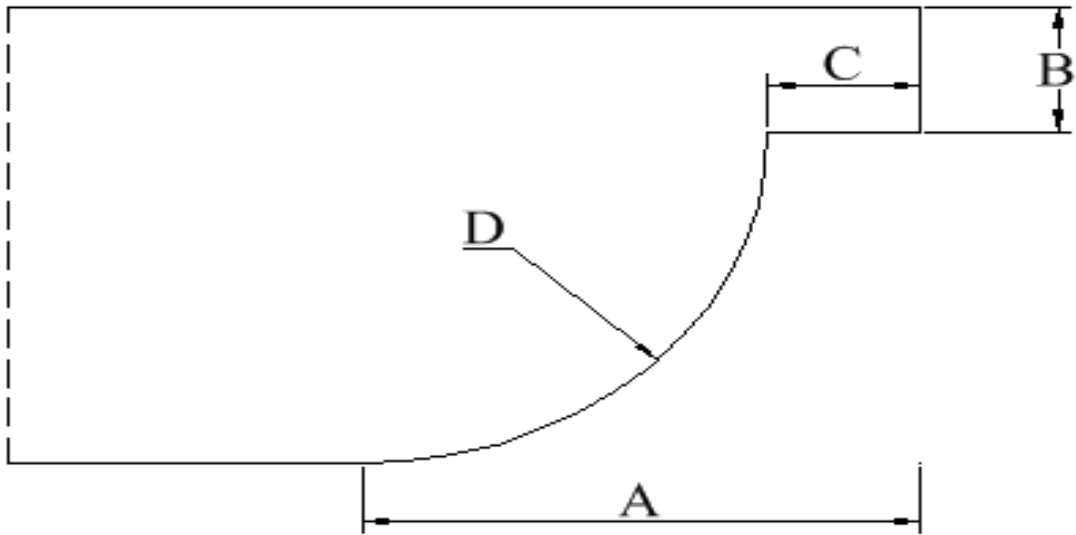
JWL 2-A



Depth	A	B	C	D
4	4 1/4	3/4	3/4	3 1/2
6	6 5/8	1 1/8	1 1/4	5 1/2
8	8 7/8	1 7/8	1 5/8	7 1/2
10	10 3/4	2 3/8	2	9 1/2
12	13 1/4	2 7/8	2 1/4	11 1/2

Corbel Patterns

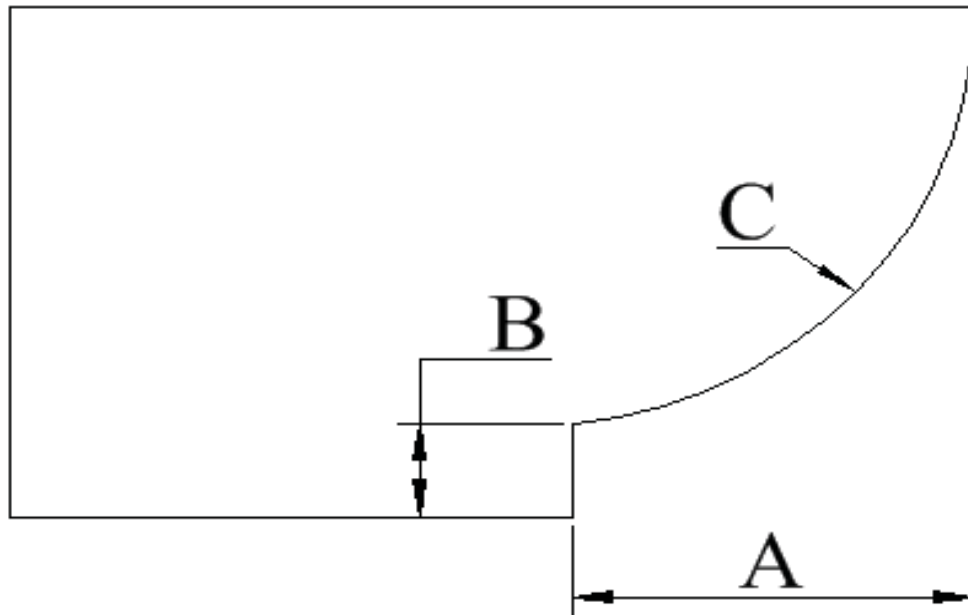
JWL 3-A



Depth	A	B	C	D
6	5 1/4	1 1/2	1 1/2	4
8	7 1/2	1 7/8	1 7/8	5 1/2
10	8 3/4	2 1/2	2 1/2	7
12	10 3/4	3	3	6 1/2
14	12	3 3/4	3 3/4	9 3/4

Corbel Patterns

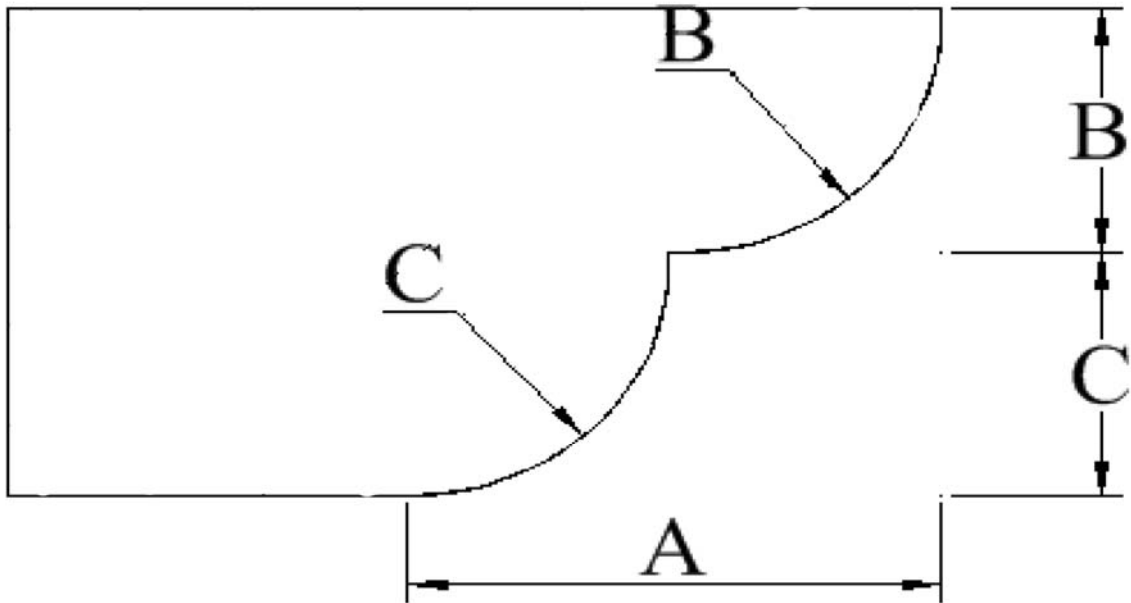
JWL 4-A



Depth	A	B	C
4	2 1/2	5/8	2 7/8
6	4 1/8	1	4 1/2
8	5 1/2	1 1/4	6 1/4
10	8	1 3/4	8 1/4
12	8 1/2	2	9 1/2
14	10 1/2	2 1/2	11 1/2

Corbel Patterns

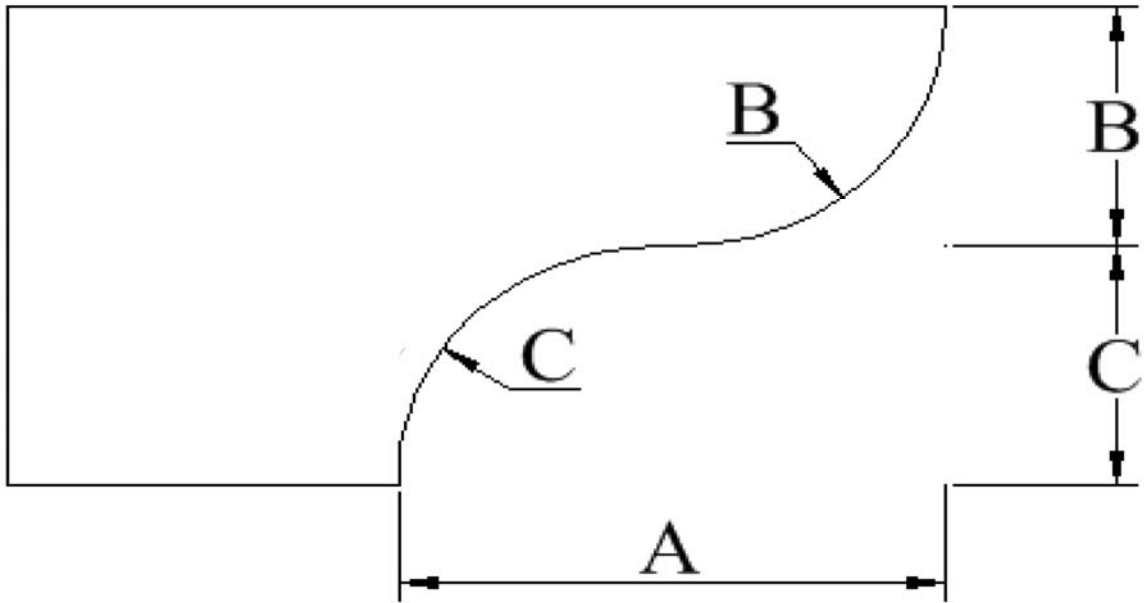
JWL 5-A



Depth	A	B	C	D
4	3 1/2	1 3/4	1 3/4	1 3/4
6	5 1/2	2 3/4	2 3/4	2 3/4
8	7 1/2	3 3/4	3 3/4	3 3/4
10	9 1/2	4 3/4	4 3/4	4 3/4
12	11 1/2	5 3/4	5 3/4	5 3/4

Corbel Patterns

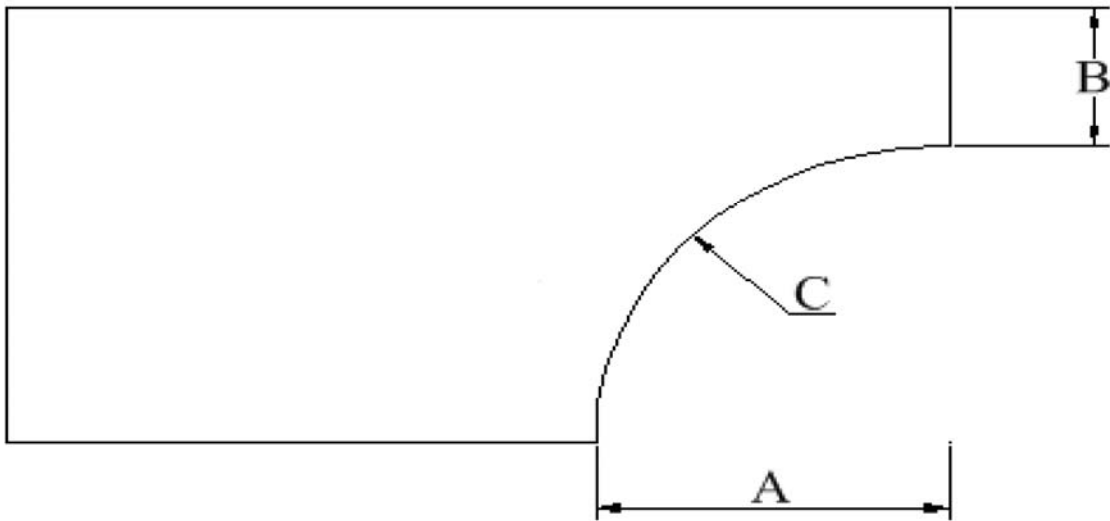
JWL 6-A



Depth	A	B	C
4	3 1/2	1 3/4	1 3/4
6	5 1/2	2 3/4	2 3/4
8	7 1/2	3 3/4	3 3/4
10	9 1/2	4 3/4	4 3/4
12	11 1/2	5 3/4	5 3/4

Corbel Patterns

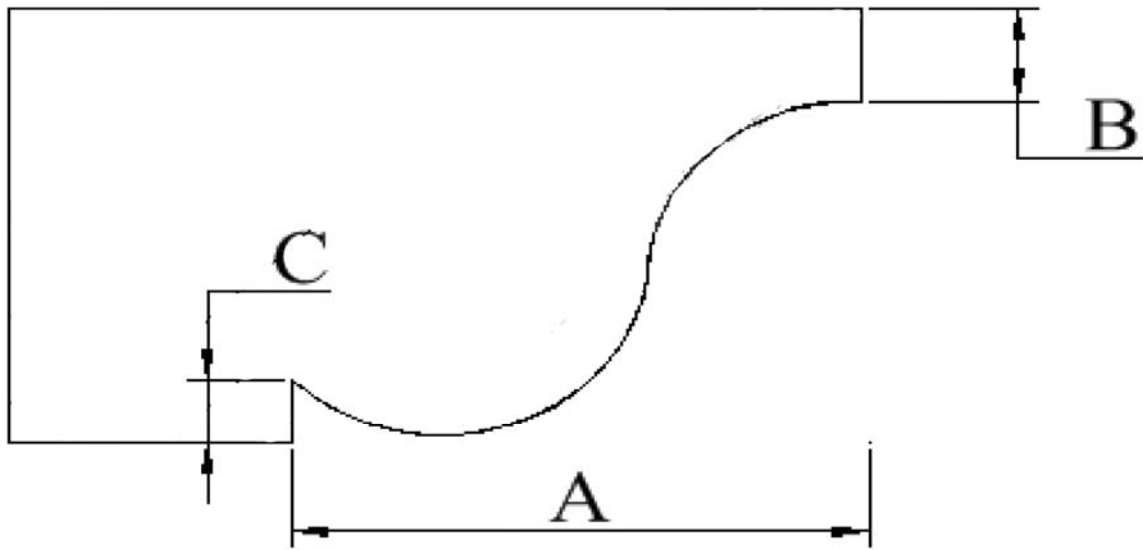
JWL 7-A



Depth	A	B	C
6	3 3/4	1 3/4	3 3/4
8	5 1/2	2 1/2	5
10	7	2 3/4	7 1/4
12	8 1/2	3	8
14	10	3 3/8	10 1/8

Corbel Patterns

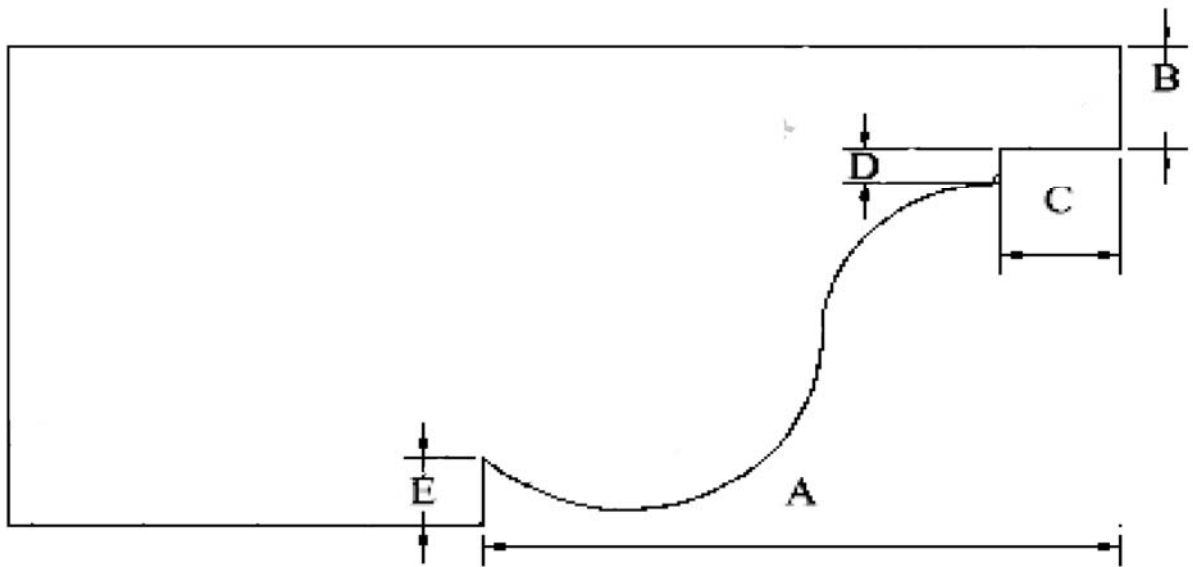
JWL 8-B



Depth	A	B	C
4	4	3/4	1/2
6	6 1/2	1 1/4	3/4
8	9	1 1/2	1
10	11 3/4	1 3/4	1 1/4
12	14 1/4	2 1/4	1 1/4

Corbel Patterns

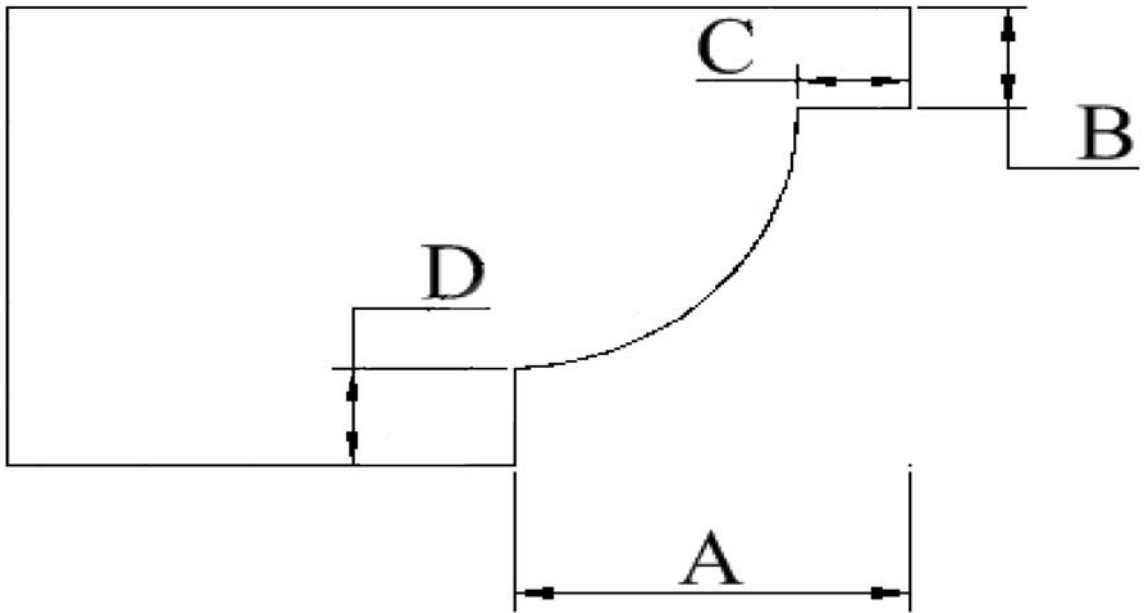
JWL 9-B



Depth	A	B / C	D	E
4	4	3/4	1/4	1/2
6	6 5/8	7/8	3/8	3/4
8	8 7/8	1 1/8	5/8	1 1/8
10	11 1/4	1 1/2	3/4	1 1/2
12	13 1/2	1 5/8	1	1 3/4
14	16 1/4	2	1 1/4	2 1/4

Corbel Patterns

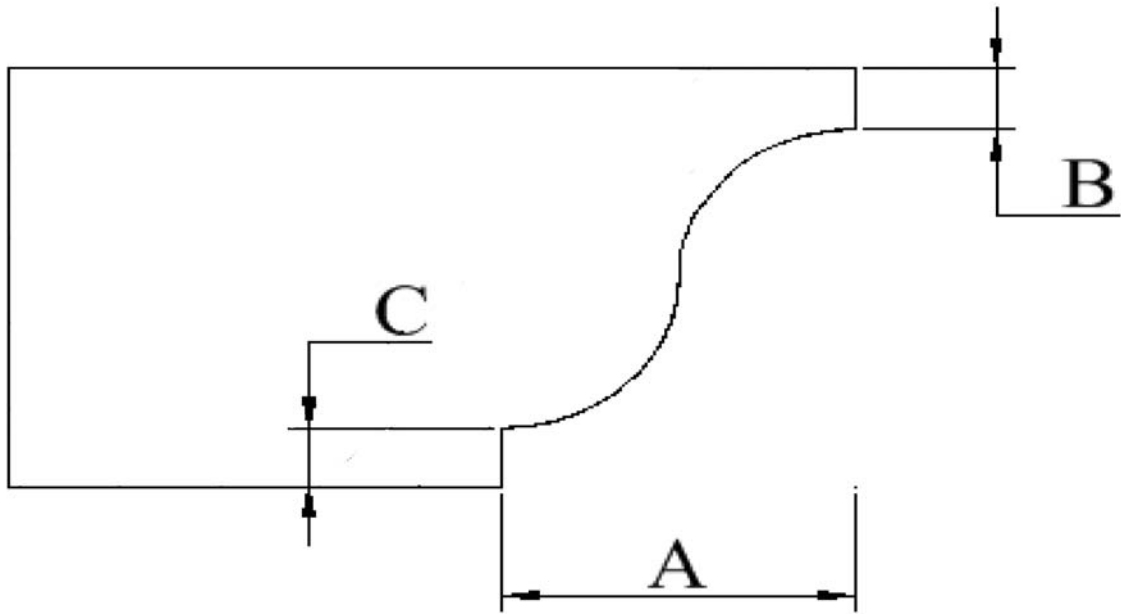
JWL 10-B



Depth	A	B	C	D
4	2 5/8	3/4	3/4	3/4
6	4 1/4	1 1/4	1 1/4	1 1/4
8	5 7/8	1 1/2	1 1/2	1 1/2
10	7 1/2	1 7/8	1 7/8	1 7/8
12	9 1/2	2	2	2
14	10 3/4	2 1/2	2 1/2	2 1/2

Corbel Patterns

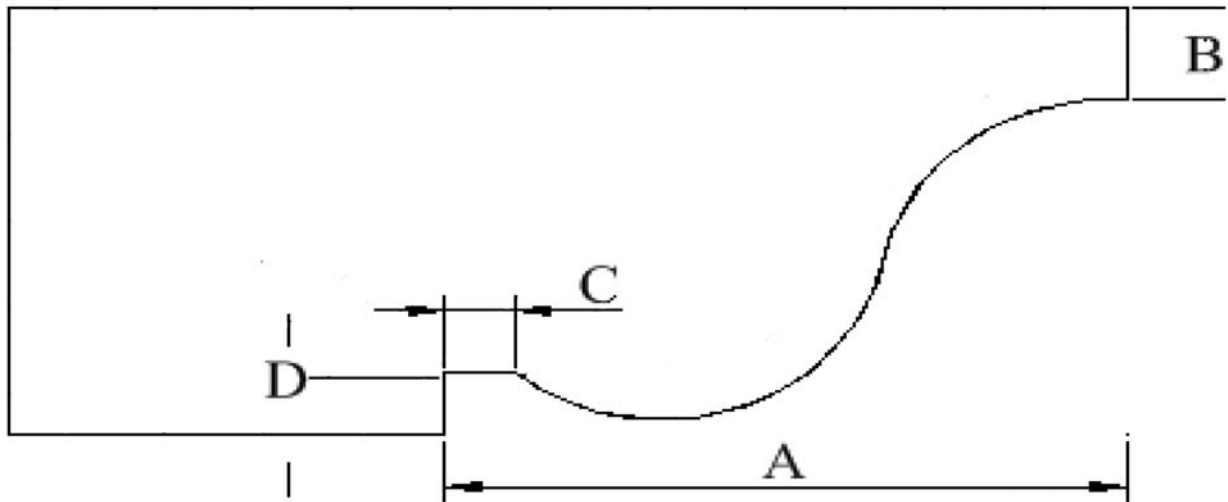
JWL 11-B



Depth	A	B	C
4	2 1/2	1/2	1/2
6	4 1/4	7/8	7/8
8	5 7/8	1 1/8	1 1/8
10	7 1/4	1 1/4	1 1/4
12	8 5/8	1 3/8	1 3/8
14	10 3/8	1 3/4	1 3/4

Corbel Patterns

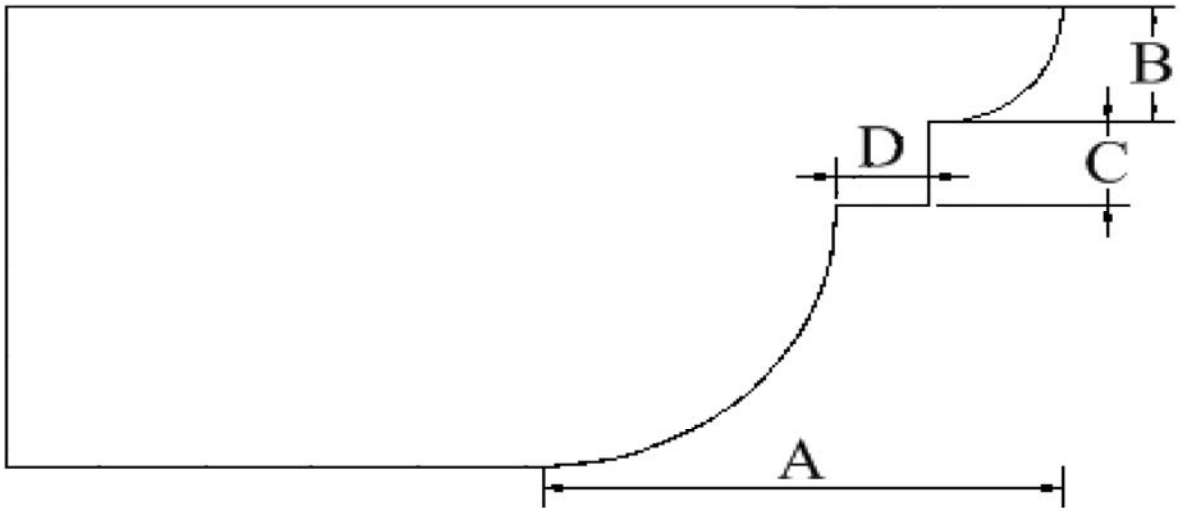
JWL 12-B



Depth	A	B	C	D
4	4 7/8	3/4	1/2	1/2
6	7 5/8	1	3/4	3/4
8	10 1/4	1 1/2	1	1
10	13 1/8	1 3/4	1 3/8	1 3/8
12	16	2 1/8	1 5/8	1 5/8
14	18 1/4	2 5/8	1 7/8	1 7/8

Corbel Patterns

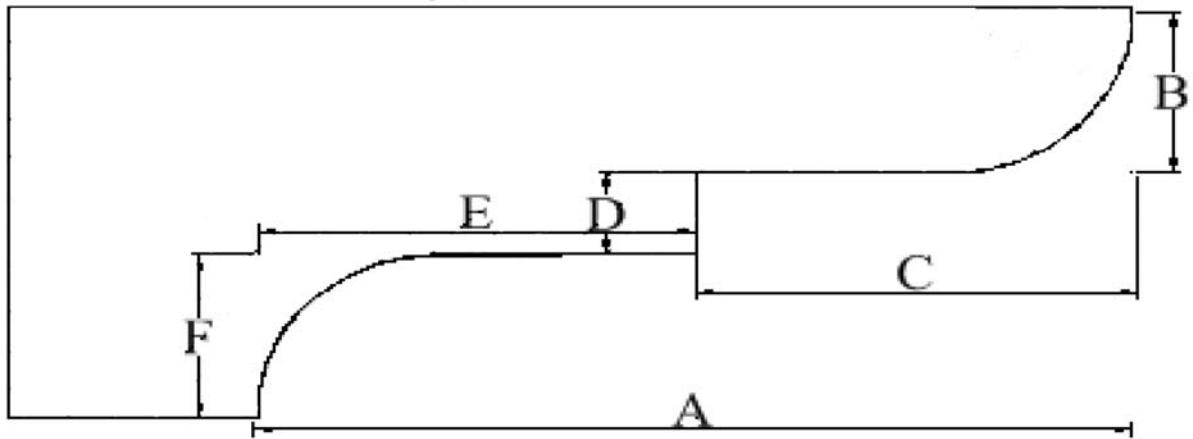
JWL 13-B



Depth	A	B	C	D
4	3 3/8	7/8	5/8	5/8
6	5	1 1/2	1	1
8	6 3/4	2	1 3/8	1 3/8
10	9 1/4	3	1 3/4	1 1/2
12	11 1/4	3 1/4	2	2
14	13	3 3/4	2 1/2	2 1/2

Corbel Patterns

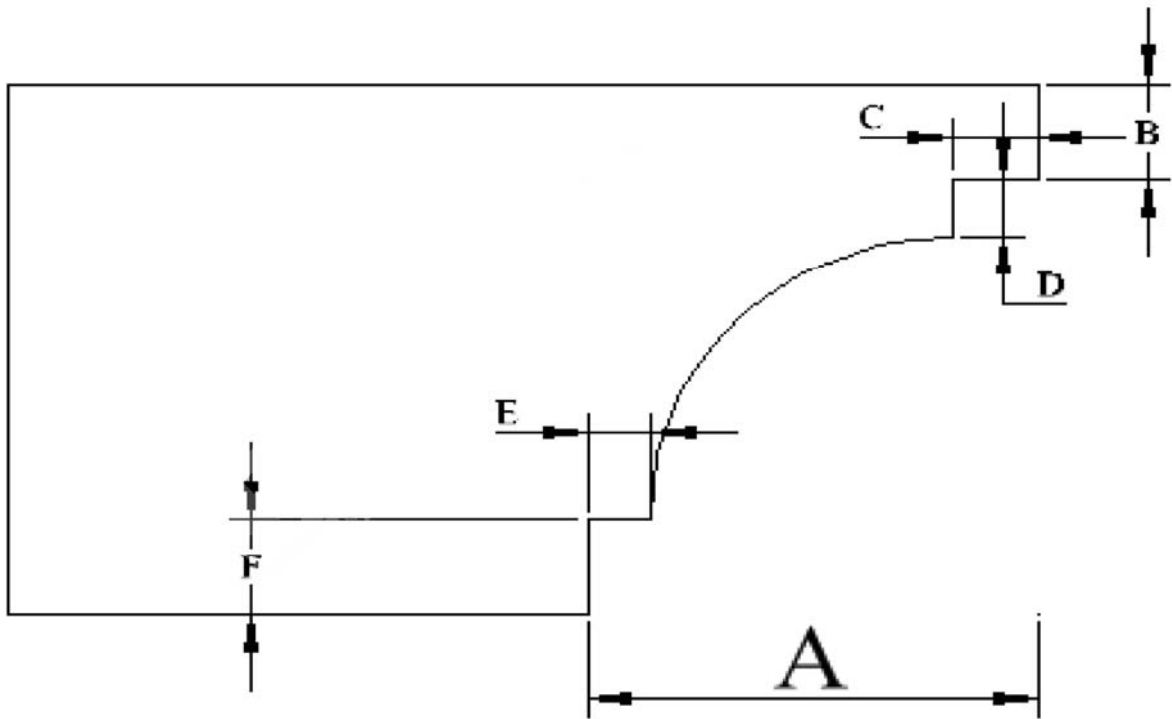
JWL 14-B



Depth	A	B	C	D	E	F
4	6 3/8	1 1/2	3 1/8	3/4	3 1/8	1 1/4
6	9 7/8	2 1/4	4 3/4	1	5 1/8	2 1/4
8	13 7/8	3	7	1 1/2	7	3
10	15 1/8	3 5/8	7 1/2	2	7 3/8	3 3/4
12	15 1/8	3 5/8	7 1/2	2	7 3/8	3 3/4
14	18 3/4	4 3/8	9	2 1/2	9 3/4	4 5/8

Corbel Patterns

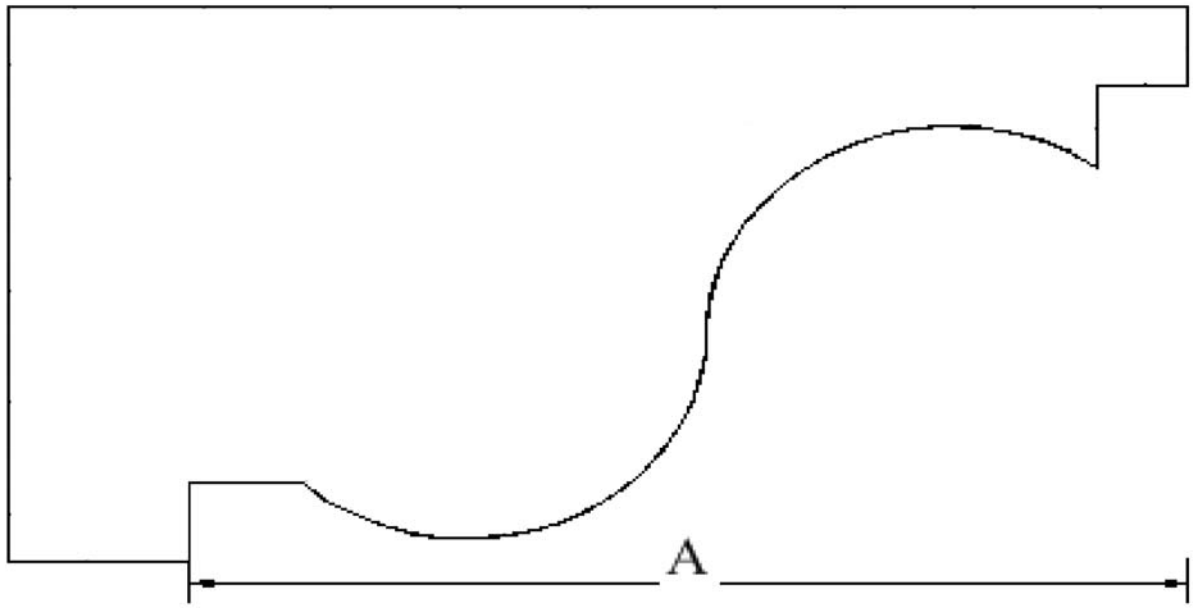
JWL 15-B



Depth	A	B	C	D	E	F
4	2 5/8	5/8	1/2	3/8	3/8	5/8
6	4	1 1/8	3/4	5/8	5/8	1
8	5 5/8	1 3/8	1 1/8	3/4	3/4	1 1/4
10	7	1 5/8	1 1/2	1	1	1 5/8
12	8	2	1 3/4	1 1/4	1 1/4	2
14	9 3/4	2 5/8	2	1 1/2	1 1/2	2 5/8

Corbel Patterns

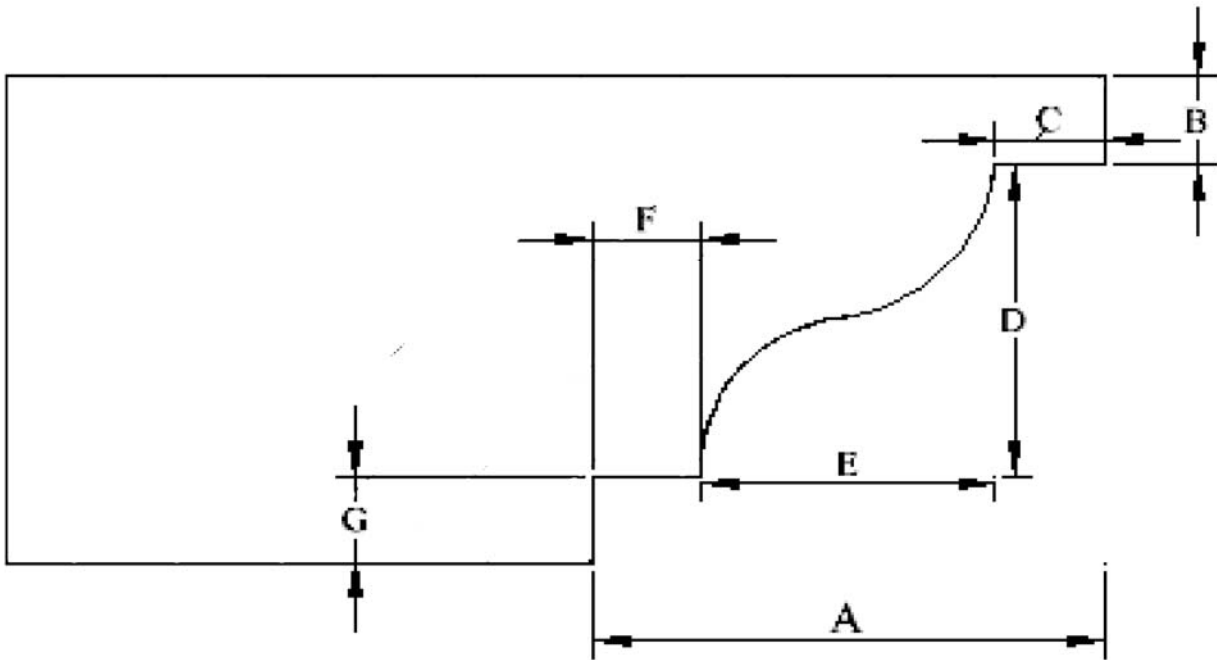
JWL 16-C



Depth	A
4	5 1/2
6	8 3/4
8	11 1/2
10	15 7/8
12	19 1/2

Corbel Patterns

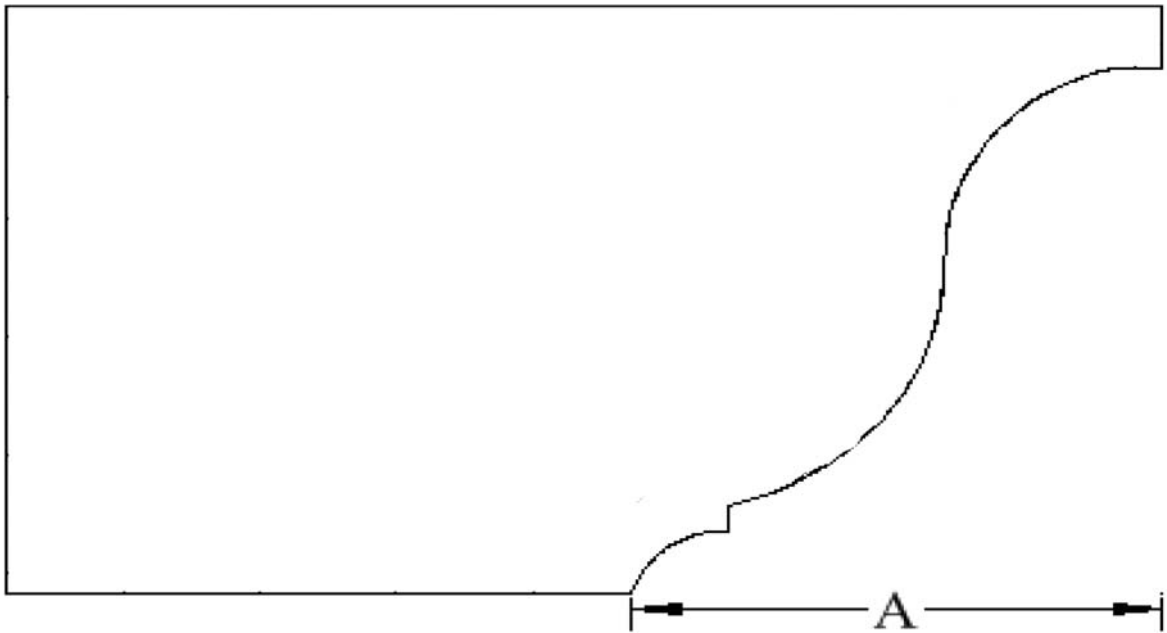
JWL 17-C



Depth	A	B	C	D	E	F	G
4	3 1/2	5/8	3/4	2 1/4	2	3/4	5/8
6	5 1/4	1 1/8	1	4 5/8	3 5/8	1	1 1/8
8	7 3/8	1 1/2	1 1/2	6	4 1/4	1 1/2	1 1/2
10	9 3/8	1 1/2	1 1/2	7 3/4	6	1 1/2	1 1/2
12	11 1/4	1 1/2	1 1/2	10	7 1/2	1 1/2	1 1/2
14	13 1/8	1 3/4	1 3/4	11 3/4	8 3/4	1 3/4	1 3/4

Corbel Patterns

JWL 19-C



Depth	A
4	2 3/4
6	6
8	8
10	9 5/8
12	11 7/8
14	13 1/2